

AXIOM[®] Coffee Fresh Start

Height: 18.9" Width: 8.4" Depth: 22.1"
(48cm x 21.3cm x 56.1cm)



- Adjusts automatically to varying water pressure
- Machine ships with all warmers turned off to accommodate thermal carafes
- Electronic diagnostics and built-in tank drain make service easier
- Large 200oz. (5.9L) tank provides back-to-back brewing capacity
- Ensure coffee quality with programming for brew level, cold brew lock-out and tank temperature, set easily from the front of the machine
- Coffee extraction controlled with programmable pre-infusion, pulse brew and digital temperature precision
- Energy-saver mode reduces tank temperature during idle periods
- Hot water faucet
- SplashGard[®] funnel deflects hot liquids away from the hand
- PROP 65 Warning Decal included in packaging with equipment
- Thermal Carafes not included
- 2 year parts and labor warranty

Agency:



Specifications

Product #:38700.0124

Water Access: Plumbed

Interface: Wireless

Finish: Stainless/Grey

Additional Features

Electrical & Capacity

Volts*	Amps	Watts	Cord Attached	Plug Type	8oz cups/hr 236ml cups/hr	Input H ² O Temp.	Phase	# Wires plus Ground	Hertz
120/208	14.4	3000	Yes	NEMA L14-20P	7.5 gal./hr.	60°F (15.5°C)	1	3	60

Plumbing Requirements

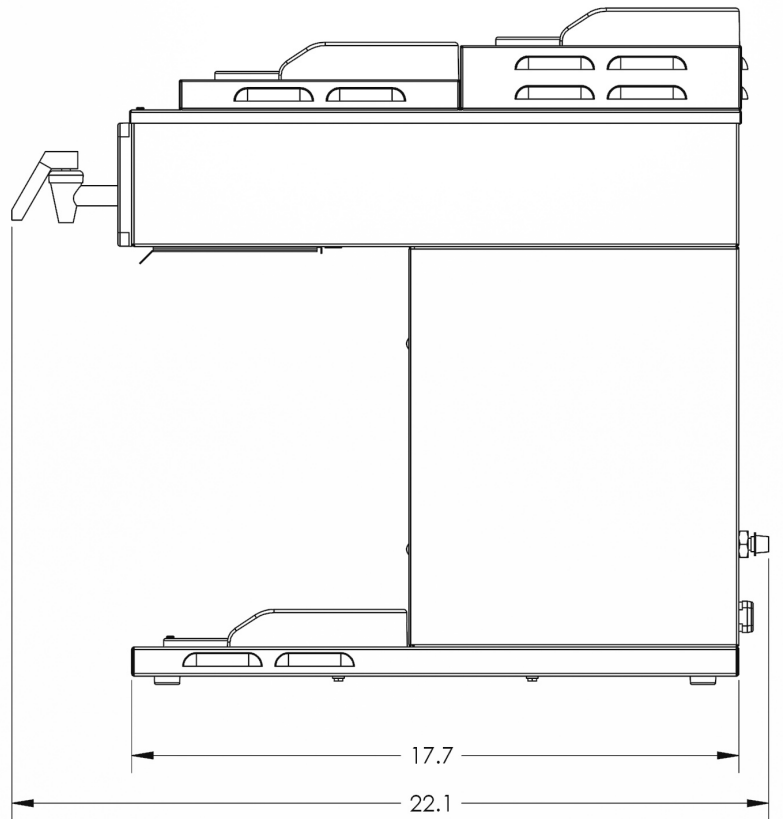
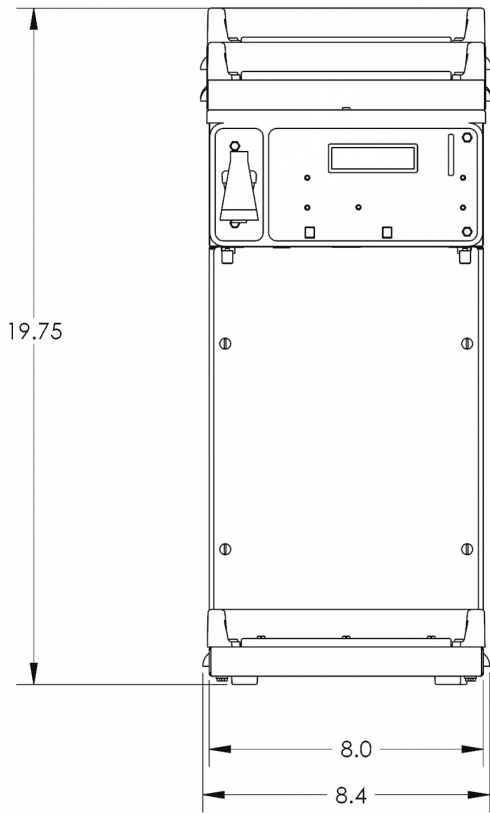
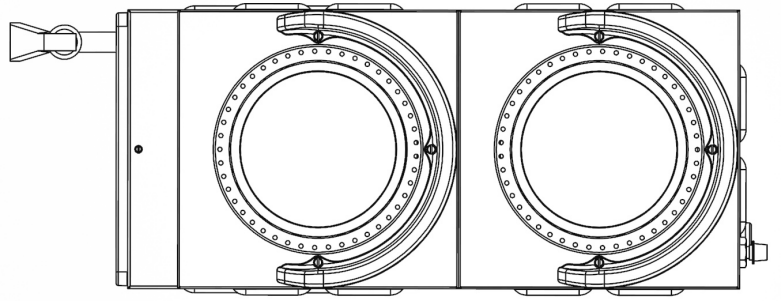
PSI	kPa	Fitting Supplied	Water Flow Required (GPM)
20-90	138-621	1/4" Male Flare Fitting	GPM

CAD Drawings

2D	Revit	KLC
●		



BUNN[®] reserves the right to change specifications and product design without notice. Such revisions do not entitle the buyer to corresponding changes, improvements, additions or replacements for previously purchased equipment. For most current specifications and other info visit bunn.com.



Unit				Shipping				
	Height	Width	Depth	Height	Width	Depth	Weight	Volume
English	19.7 in.	8.4 in.	22.2 in.	24.8 in.	11.9 in.	25.9 in.	35.150 lbs	4.401 ft ³
Metric	50.0 cm	21.3 cm	56.4 cm	62.9 cm	30.2 cm	65.7 cm	15.944 kgs	0.125 m ³



BUNN® reserves the right to change specifications and product design without notice. Such revisions do not entitle the buyer to corresponding changes, improvements, additions or replacements for previously purchased equipment. For most current specifications and other info visit bunn.com.

Related Products & Accessories: AXIOM Coffee Fresh Start



PAPER FILTER PACK
(QTY. 1,000)

Product #: 20115.0000



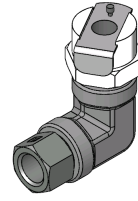
INLET HOSE ONLY

Product #: 00327.0002



HIGH LIME SPRAYHEAD

Product #: 40670.0005



QUICK CONNECT
ASSEMBLY
WITH ADAPTOR

Product #: 34397.0000



SPRAYHEAD
CLEANING TOOL

Product #: 38227.0000



WARMER KIT
(QTY. 1,000)

Product #: 57665.0000



QR CODE DECAL

Product #: 48332.0011



HOT WATER DECAL

Product #: 29007.0003